

用户手册

USER GUIDE

STYX LN2 CONTAINER

液氮超频冷头



Model: ICE-LN2
P/N : IWB-OC-LN2
INTEL 115X / 1200 / 1700 / 1851
AMD AM3 / AM4 / AM5

注意事项

1. 请将本产品放置及储存于小孩可接触的范围之外。
2. 安装前请检查产品状况及零件数量，如有任何问题，请联系您所购买的商店以提供换货或退货服务。
3. 本产品请由合格的技术人员进行安装。不正确的安装可能会导致设备损坏。Icemancooler不承担任何不当使用及安装造成的责任。
4. 液氮或液氦会产生超低温，请由合格的技术人员进行使用。不正确的操作可能会导致严重的低温冻伤，Icemancooler不承担任何不当使用造成的责任。
5. 本产品的保修封条一旦撕开或移除去则保修立即失效，Icemancooler将不对此产品提供保修。
6. 本产品保修期限为一年。
7. 本手册如有更改恕不另行通知，请访问我们的网站获取更新。

Note

1. Kee and store the product away from the reach of children.
2. Check the condition and component list of the product, If there is any problem, contact shop where you purchased to get a replacement or refund.
3. This product must be installed by qualified technicians. Incorrect installation may cause damage to the equipment. Icemancooler does not assume any responsibility for improper use and installation.
5. Liquid nitrogen or liquid helium generates ultra-low temperatures and shall be operated by qualified technical personnel. Improper operation may lead to severe cryogenic frostbite, and Icemancooler assumes no responsibility for any consequences resulting from improper use.
4. Breaking the warranty seal on the product will result in loss of warranty.
5. Product warranty period is one years.
6. This guide is subject to change without notice, Please browse our website for updates.

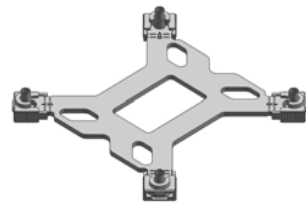
配件清单Contents



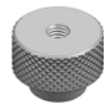
A 冷头 x1
Container X1



B 支架 x1
Bracket X1



C Intel支架 x1
Intel Backplate X1



D 螺母 x4
Nut X4



E 弹簧 x4
Spring X4



F 垫片 x4
Washer X4



G Intel Washer x4
Intel 垫片 x4
黑色(Black)
Dim:4x8x3mm



H AMD Washer x4
AMD 垫片 x4
白色(White)
Dim:6x9x4mm

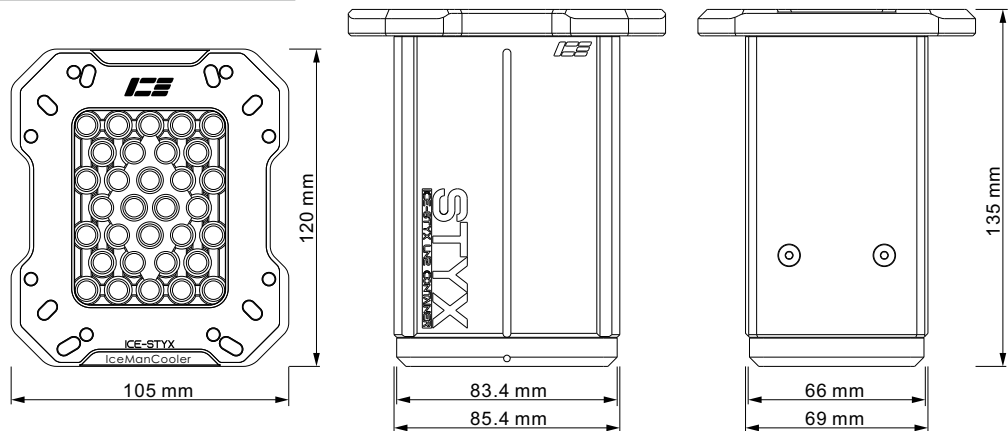


I 螺丝柱 x4
Threaded Standoff x4



J 扳手 x1
Wrench x1

尺寸Dimension

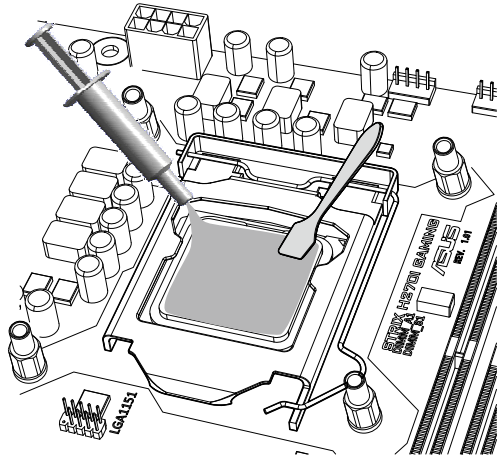


净重(N.W.): 2kg

安装Intel平台(Install the Intel platform)

STEP 1

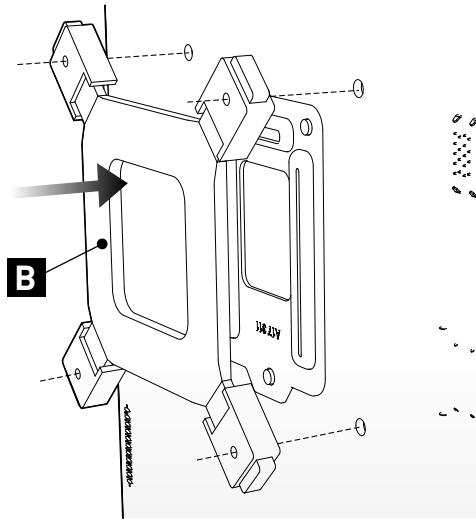
清洁CPU表面，涂上导热硅脂。
Clean the surface of the CPU and apply thermal grease.



产品不包含导热硅脂和刮刀。
The product does not include thermal grease and a scraper.

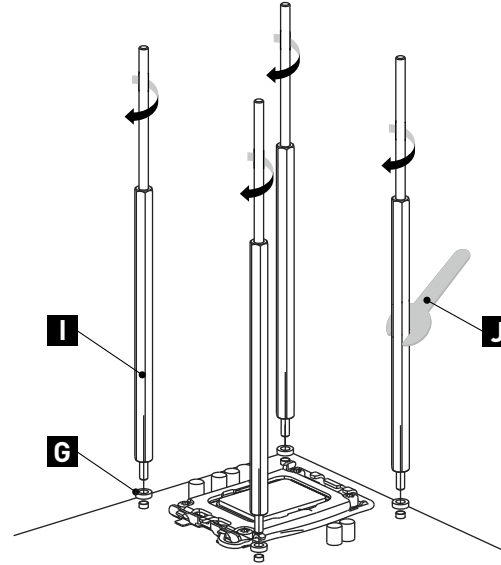
STEP 2

安装Intel背板支架。
Install the Intel backplane bracket.



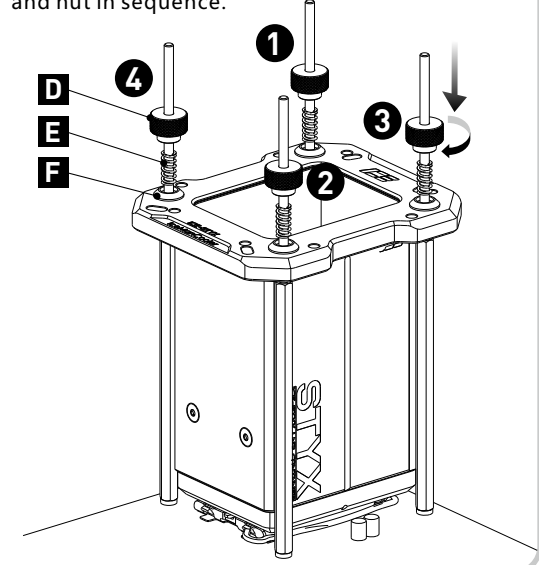
STEP 3

安装Intel垫片和螺丝柱。
Install the Intel washer and Threaded Standoff.



STEP 4

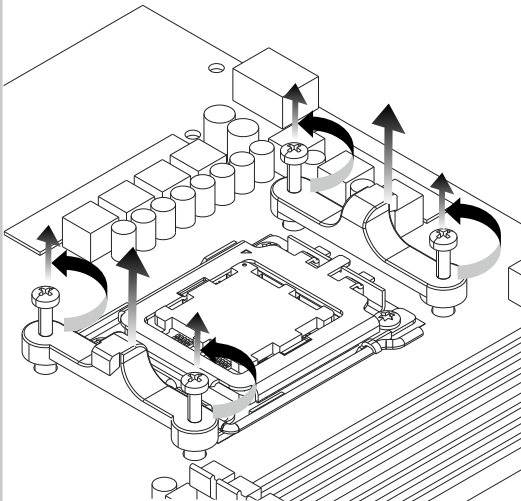
安装冷头，并按顺序安装垫片、弹簧和螺母。
Installing the container, install the washer, spring, and nut in sequence.



安装AMD平台(Install the AMD platform)

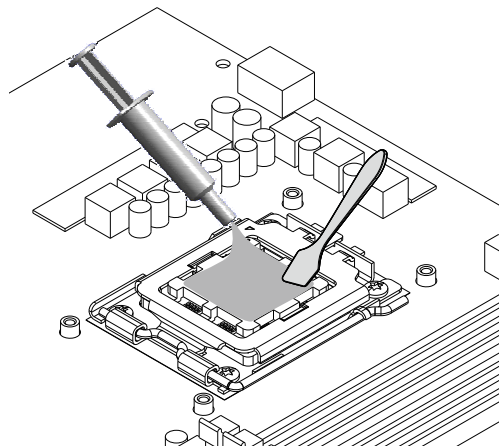
STEP 1

移除CPU散热器安装支架。
Remove the bracket for the CPU cooler.



STEP 2

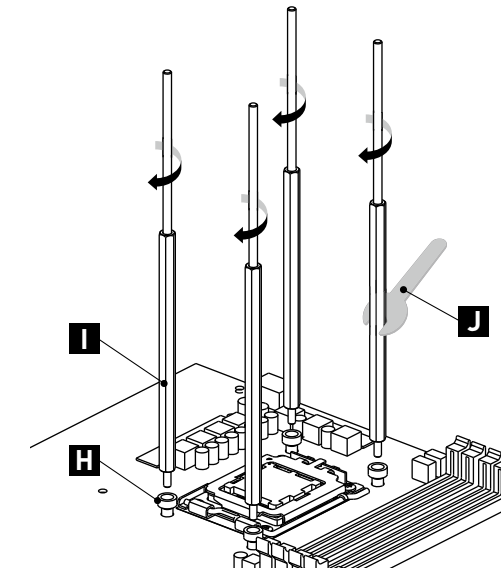
清洁CPU表面，涂上导热硅脂。
Clean the surface of the CPU and apply thermal grease.



产品不包含导热硅脂和刮刀。
The product does not include thermal grease and a scraper.

STEP 3

安装AMD垫片和螺丝柱。
Install the AMD washer and Threaded Standoff.



STEP 4

安装冷头，并按顺序安装垫片、弹簧和螺母。
Installing the container, install the washer, spring, and nut in sequence.

